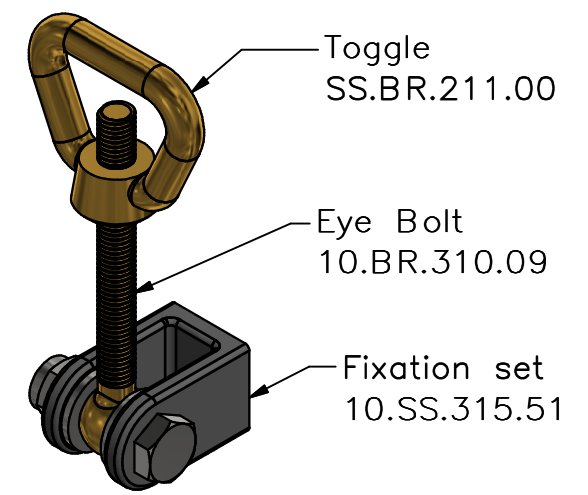
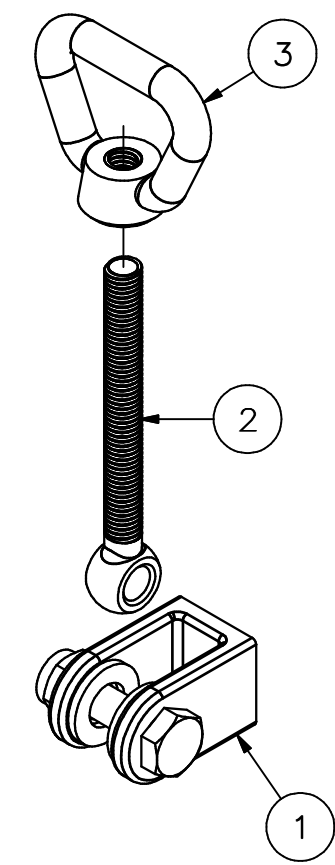
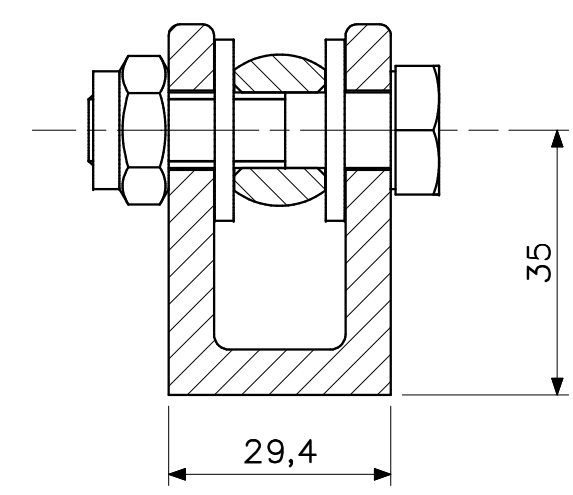
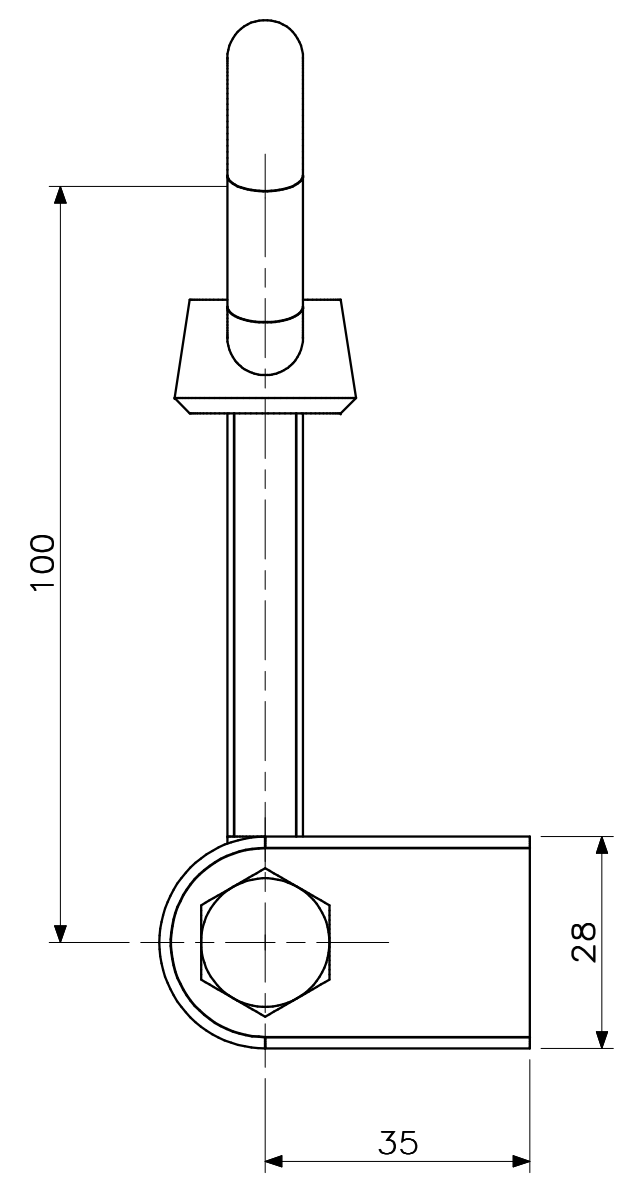
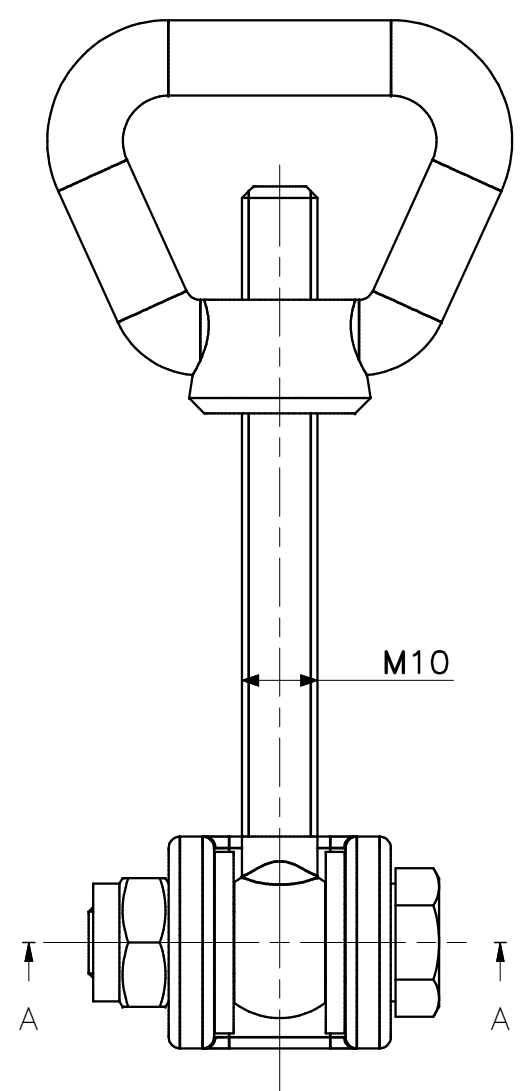

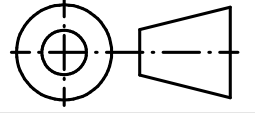


This drawing and design is protected by copyright and the information is confidential. It is also protected and registered under Dutch laws through the Dutch government department for taxes. The drawing and/or models may not be copied, reproduced, duplicated or disclosed to others, in whole or in part without prior written consent of Rob Snel B.V./the Netherlands



3D-IMPRESSION - EXPLODED VIEW

| 3 | 1 | TOGGLE M10 MESSING | Messing | M10 | 10.BR.211.00 |
|---|------------|---|------------------|-----------|---|
| 2 | 1 | EYE BOLT M10x100 STAINLESS STEEL | Messing | M10x100 | 10.BR.310.09 |
| 1 | 1 | Fixation Set | Stainless Steel | | 10.SS.315.51 |
| POS | QTY | TITLE | MATERIAL | DIMENSION | DWG NR |
| C | | | | | |
| B | | | | | |
| A | | | | | |
| Rev.: | | REV. DATE: | REVISION SUBJECT | | |
| Date: | 13-9-2021 |  Rob Snel <small>TECHNISCHE GROOTHANDEL</small> | | | Art.nr: |
| Drawn: | Hans Baars | | | | Projection type: |
| Scale: | 1:1 | | | |  |
| Status: | Pending | | | | |
| Cust.: | | | | | |
| Project: | | | | | |
| Title: Assembly M10 Toggle nut - Eye bolt - Fixation set | | | | | |
| Mat: | Dwg.nr: | 10.BR.021.10 | Revision: | Sheet: | Format: |
| | | | | 1 | A3 |

Rob Snel Technische Groothandel
 Industrieweg 39
 3361 HJ Sliedrecht
 T +31 (0)184 43 30 30
 F +31 (0)184 43 30 31
 E s.snel@robsnel.nl
 I www.robsnel.nl