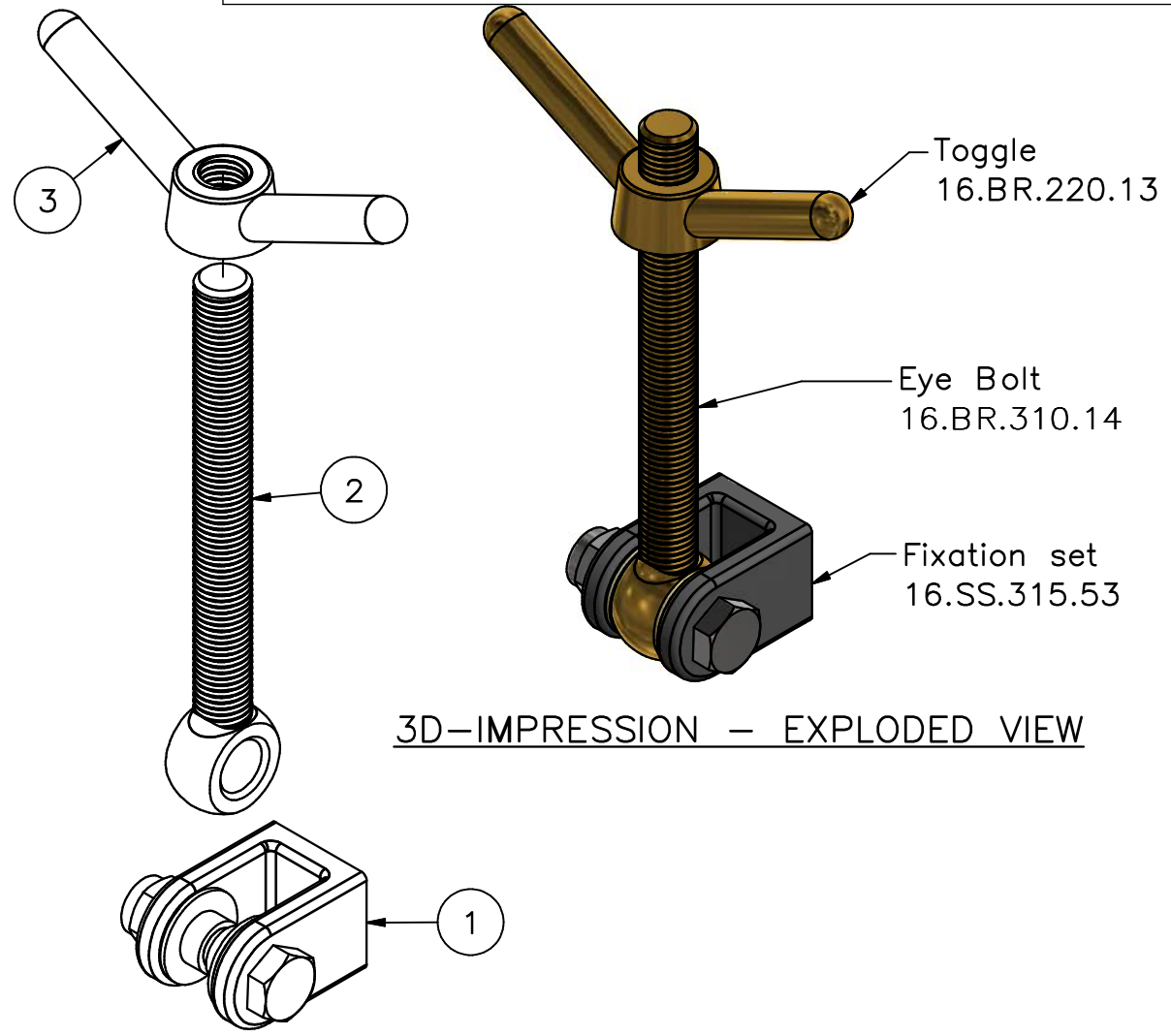
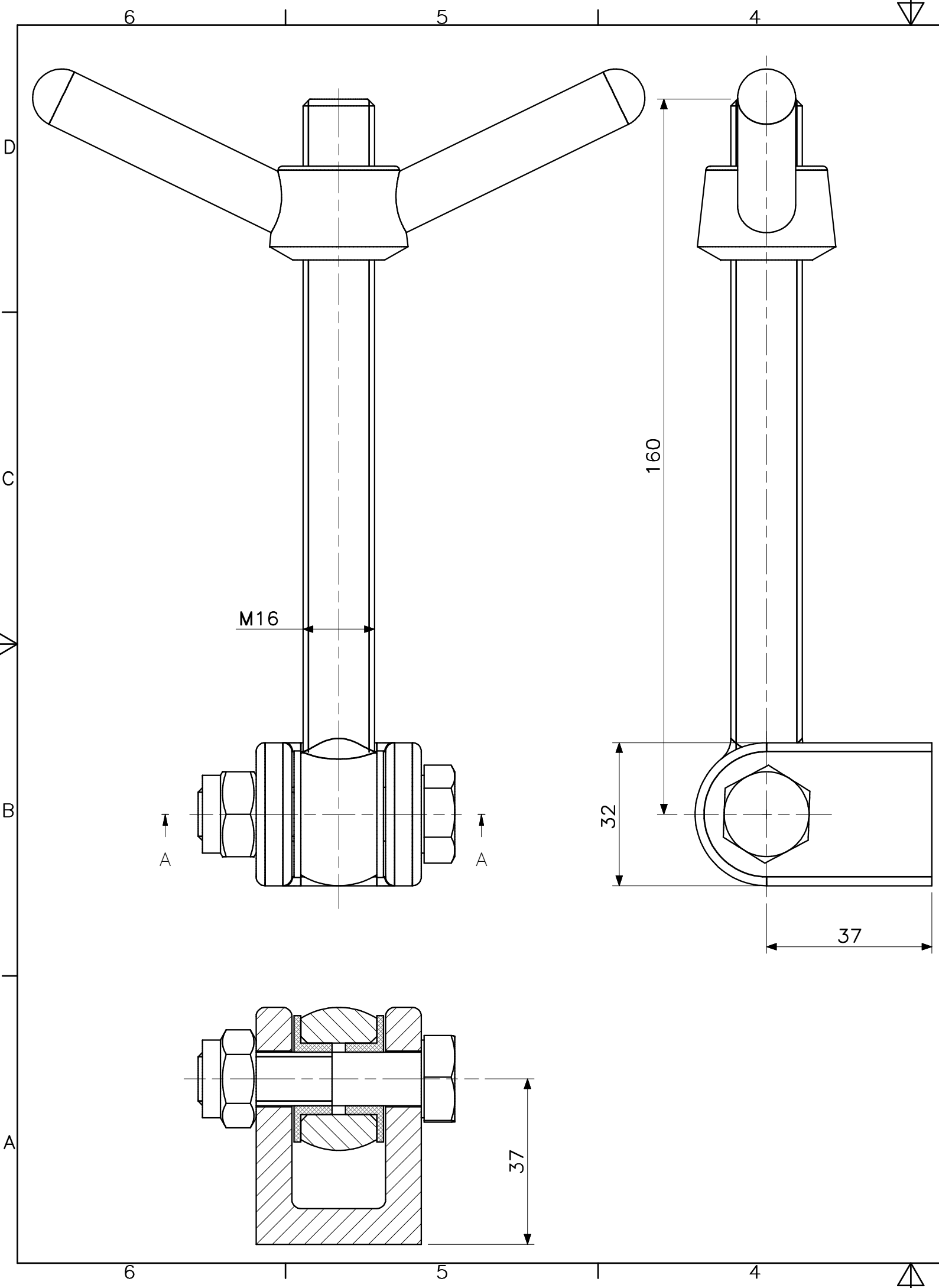


This drawing and design is protected by copyright and the information is confidential. It is also protected and registered under Dutch laws through the Dutch government department for taxes. The drawing and/or models may not be copied, reproduced, duplicated or disclosed to others, in whole or in part without prior written consent of Rob Snel B.V./the Netherlands



| POS | QTY | TITLE | MATERIAL | DIMENSION | DWG NR |
|-----|-----|------------------------------|-----------------|-----------|--------------|
| 3 | 1 | BUTTERFLY TOGGLE M16 MESSING | Messing | M16 | 16.BR.220.13 |
| 2 | 1 | EYE BOLT M16x160 MESSING | Messing | M16x160 | 16.BR.310.14 |
| 1 | 1 | Fixation Set | Stainless Steel | | 16.SS.315.53 |

| | | |
|----------|------------|------------------|
| Rev.: | REV. DATE: | REVISION SUBJECT |
| Date: | 13-9-2021 | |
| Drawn: | Hans Baars | |
| Scale: | 1:1 | |
| Status: | Pending | |
| Cust.: | | |
| Project: | | |

| | | | |
|--|--|---|------------------|
| | | Rob Snel Technische Groothandel Industrieweg 39 3361 HJ Sliedrecht | Art.nr: |
| | | T +31 (0)184 43 30 30 F +31 (0)184 43 30 31 E s.snel@robsnel.nl I www.robsnel.nl | Projection type: |
| | | | |

| | | | | |
|---|---------------------|-----------|----------|-----------|
| Title: Assembly M16 Toggle nut - Eye bolt - Fixation set | | | | |
| Mat: | Dwg.nr: | Revision: | Sheet: | Format: |
| | 16.BR.022.16 | | 1 | A3 |