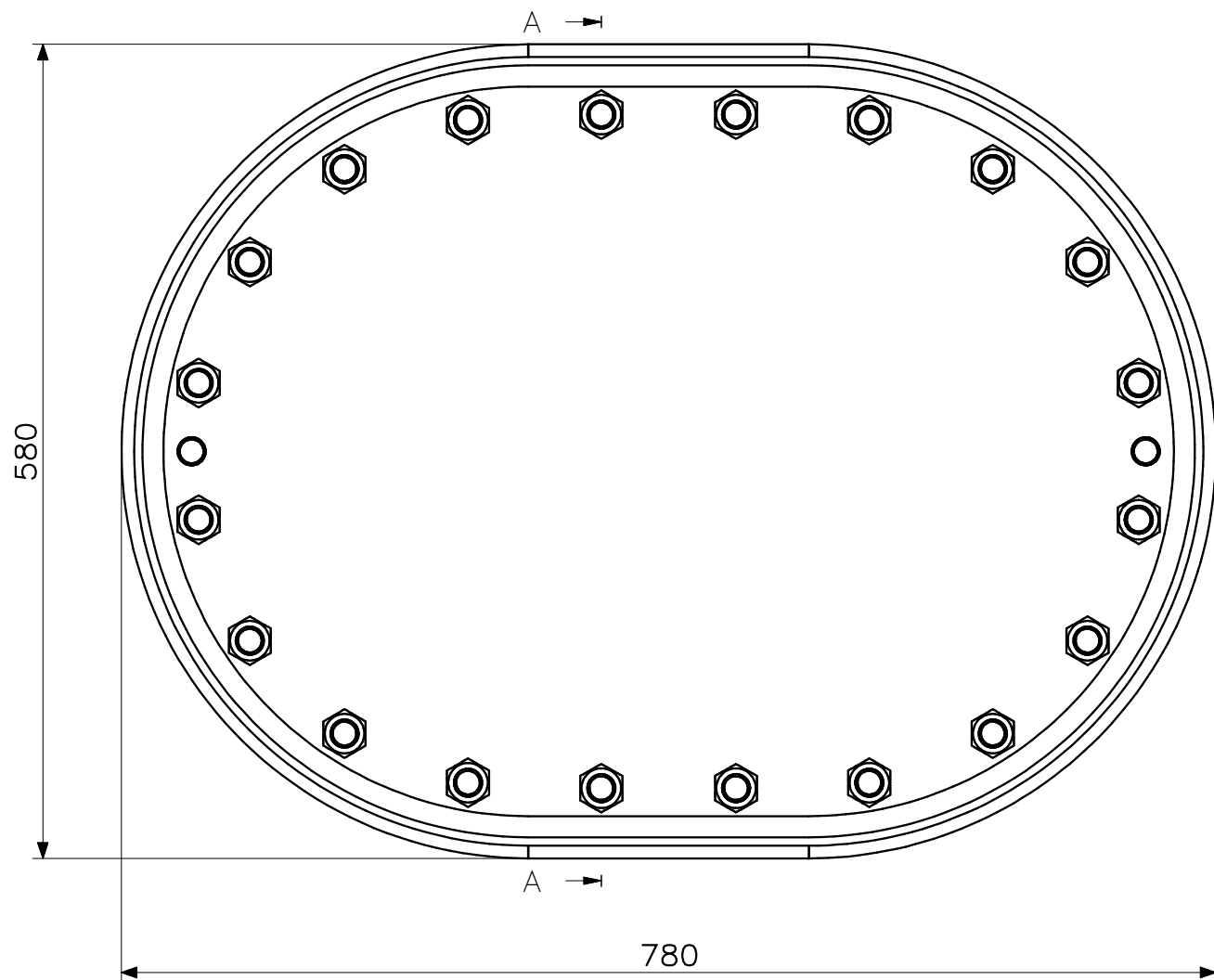
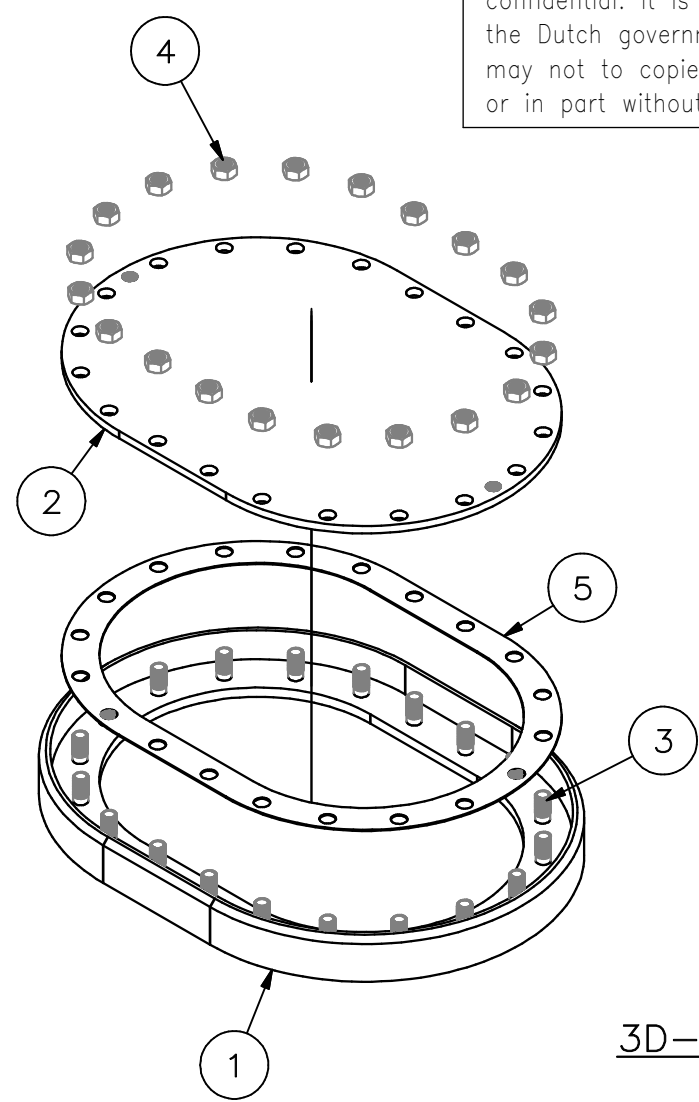
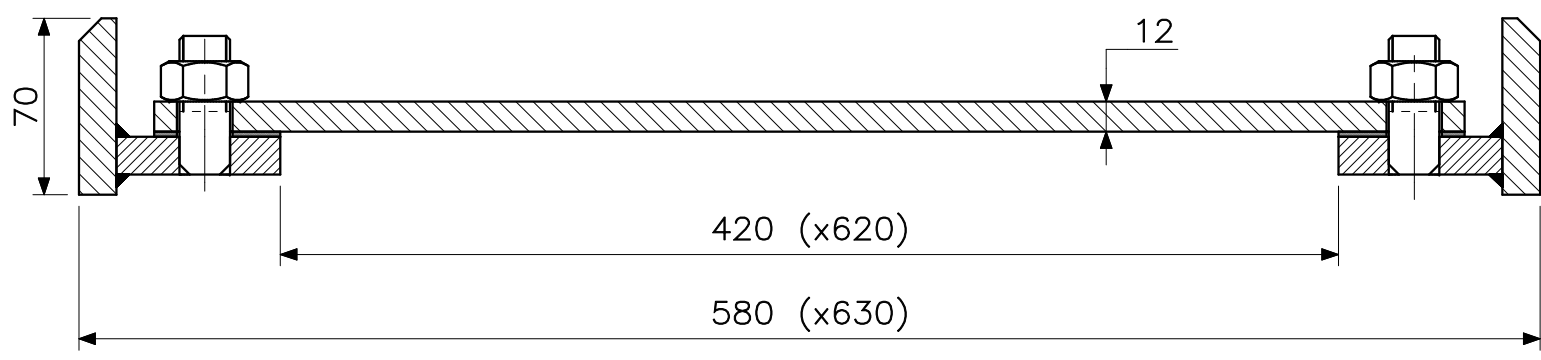


This drawing and design is protected by copyright and the information is confidential. It is also protected and registered under Dutch laws through the Dutch government department for taxes. The drawing and/or models may not to copied, reproduced, duplicated or disclosed to others, in whole or in part without prior written consent of Rob Snel B.V./the Netherlands

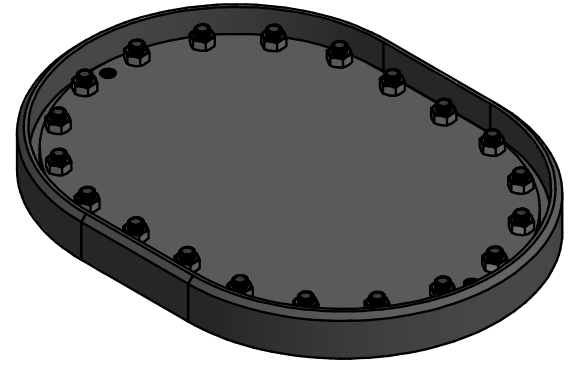
TOP-VIEW



SECTION A-A



3D-IMPRESSION - EXPLODED VIEW



5	20	Seal	Nitril	DIN 83403-A	511.06
4	20	Nut	Stainless Steel	DIN 934 A4-80	511.06
3	1	Stud bolt	Stainless Steel	DIN 933 A4-70	511.06
2	1	Manhole Cover. Partnr 51.ST.511.53	Q235B	630x430	511.03
1	1	Manhole Ring. Partnr 51.ST.511.64	Q235B	720x520	511.64
POS	QTY	TITLE	MATERIAL	DIMENSION	DWG NR

C		
B		
A		

Rev.: REV. DATE: REVISION SUBJECT

Date:	24-2-2022	 <p>Rob Snel TECHNISCHE GROOTHANDEL</p> <p>Rob Snel Technische Groothandel Industrieweg 39 3361 HJ Sliedrecht</p> <p>T +31 (0)184 43 30 30 F +31 (0)184 43 30 31 E s.snel@robsnel.nl I www.robsnel.nl</p>	Art.nr:
Drawn:	Hans Baars		Projection type:
Scale:	1:5 1:3		
Status:	Pending		
Cust.:			
Project:			

Title: Steel Manhole C/O 620x420 - Type D-Oval

Mat:	Dwg.nr:	511.06	Revision:	Sheet:	Format:
				1	A3