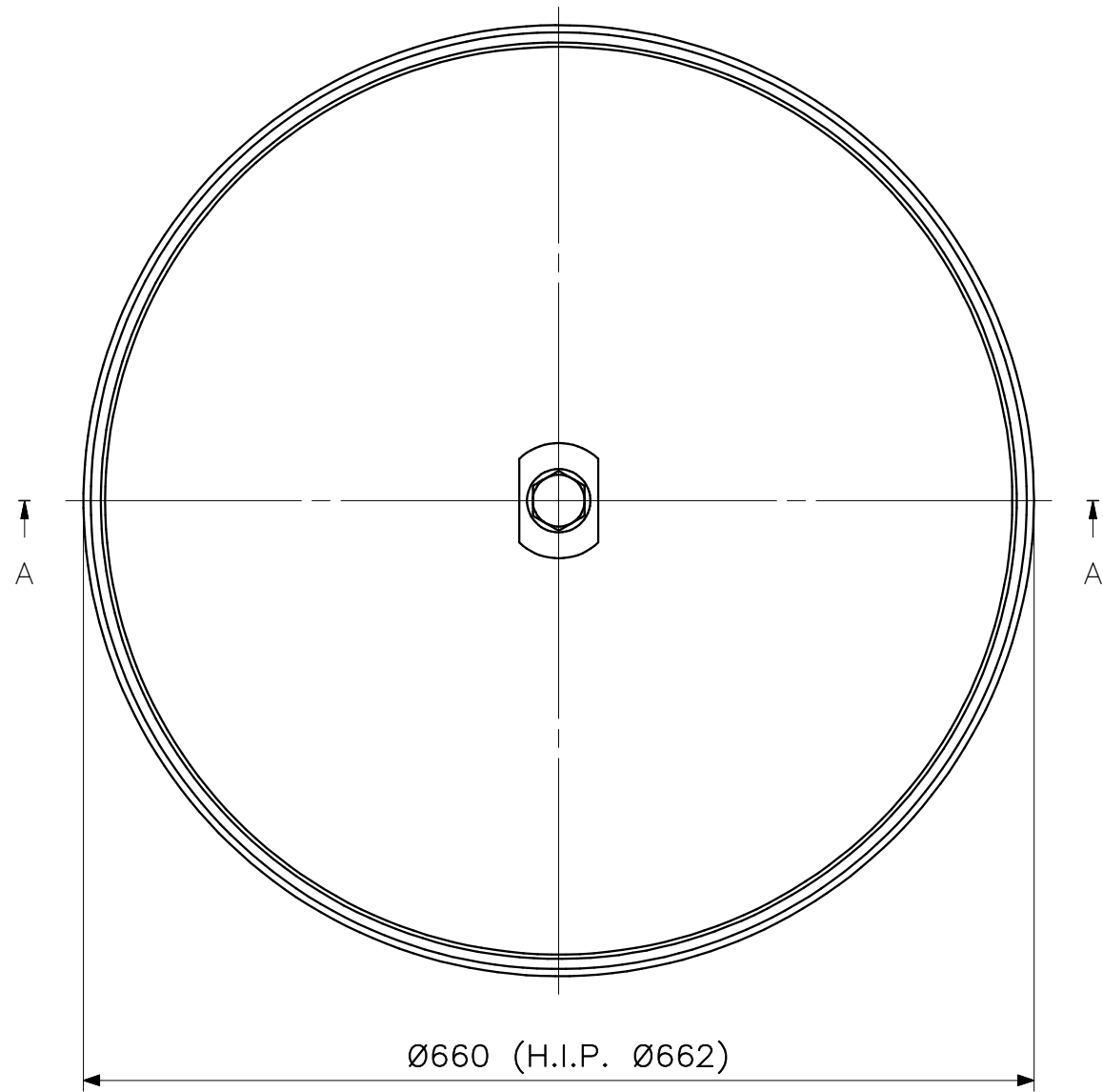
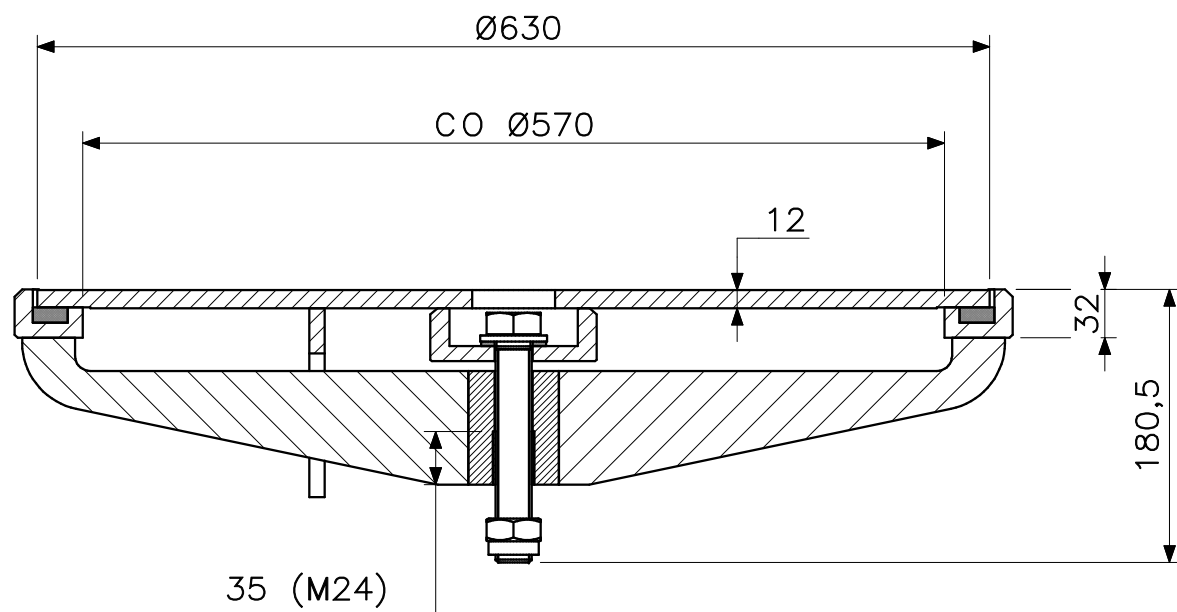


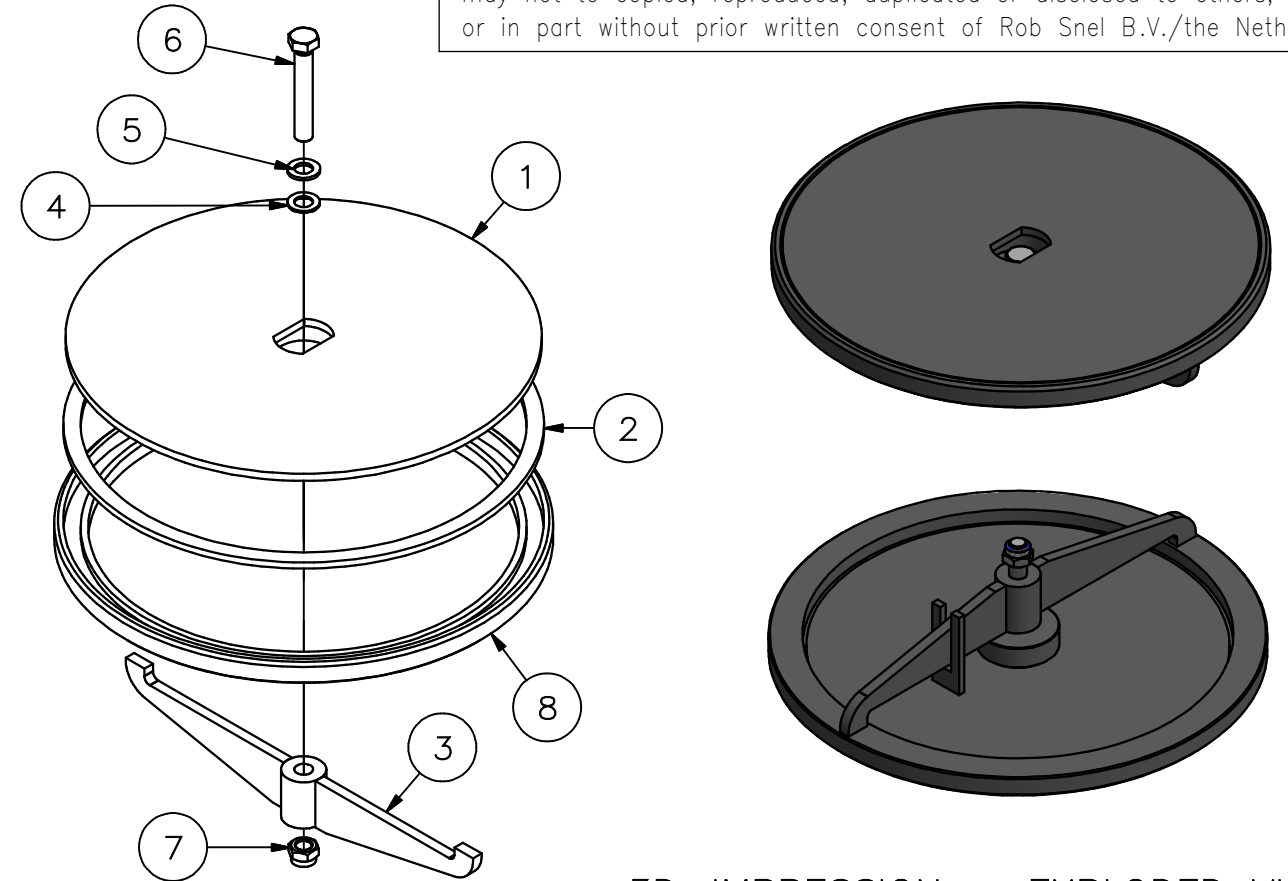
TOP-VIEW



SECTION A-A



This drawing and design is protected by copyright and the information is confidential. It is also protected and registered under Dutch laws through the Dutch government department for taxes. The drawing and/or models may not to copied, reproduced, duplicated or disclosed to others, in whole or in part without prior written consent of Rob Snel B.V./the Netherlands



3D-IMPRESSION - EXPLODED VIEW

8	1	Manhole Ring	Q235B	ø660	540.02
7	1	Hex Nut	Stainless Steel	DIN 985 - M24	540.02
6	1	Hex-Head Bolt	Stainless Steel	DIN 933 -M24 x150	540.02
5	1	Washer M24	Stainless Steel	DIN 125 - A 25	540.02
4	1	Washer Seal	Nitril		540.02
3	1	Lever	Q235B		540.02
2	1	Seal NBR 70gr Shore A	Nitril		540.02
1	1	Manhole Cover	Q235B	ø630 -12-	540.02
POS	QTY	TITLE	MATERIAL	DIMENSION	DWG NR

C		
B		
A		

Rev.: REV. DATE: REVISION SUBJECT

Date:	25-2-2022	 <p>Rob Snel TECHNISCHE GROOTHANDEL</p>	Rob Snel Technische Groothandel Industrieweg 39 3361 HJ Sliedrecht T +31 (0)184 43 30 30 F +31 (0)184 43 30 31 E s.snel@robsnel.nl I www.robsnel.nl	Art.nr:
Drawn:	Hans Baars			Projection type:
Scale:	1:5 1:3			
Status:	Pending			
Cust.:				
Project:				

Title: **Steel Manhole C/O ø570 - Type Central Closed Flush**

Mat:	Dwg.nr:	Revision:	Sheet:	Format:
	540.02		1	A3