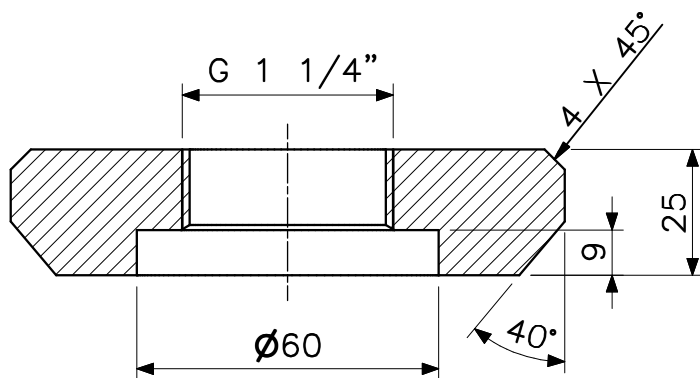
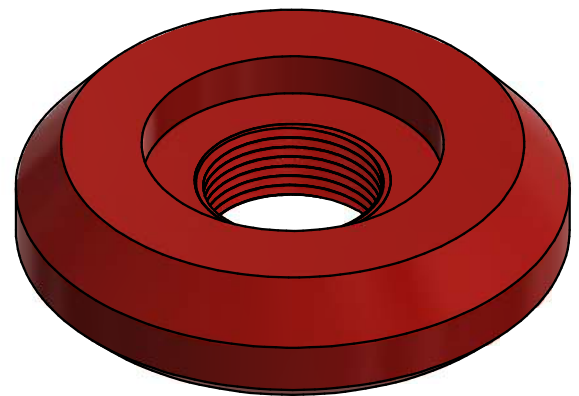
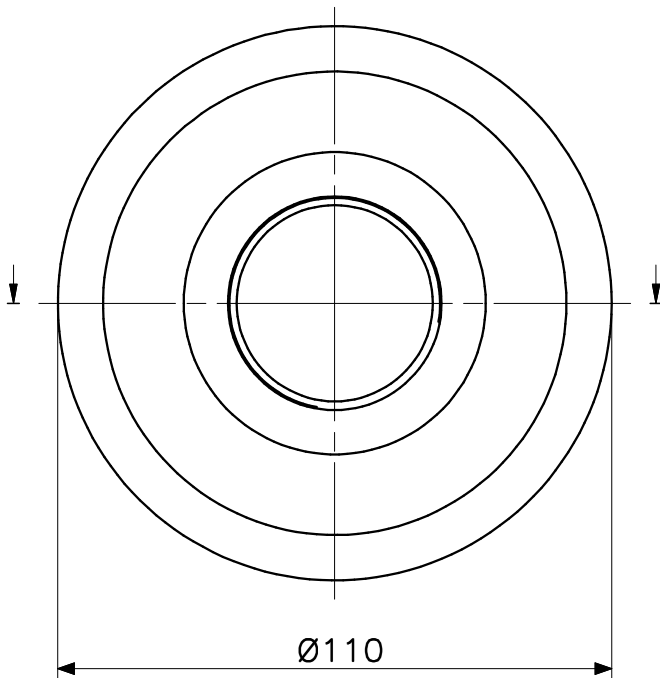


This drawing and design is protected by copyright and the information is confidential. It is also protected and registered under Dutch laws through the Dutch government department for taxes. The drawing and/or models may not to copied, reproduced, duplicated or disclosed to others, in whole or in part without prior written consent of Rob Snel B.V./the Netherlands



C		
B		
A		

Rev.:	REV. DATE:	REVISION SUBJECT
-------	------------	------------------

Date:	4-1-2022	 Rob Snel TECHNISCHE GROOTHANDEL	Art.nr:	
Drawn:	Hans Baars		Rob Snel Technische Groothandel Industrieweg 39 3361 HJ Sliedrecht	
Scale:	1:1,5			Projection type:
Status:	Pending		T +31 (0)184 43 30 30 F +31 (0)184 43 30 31 E s.snel@robsnel.nl I www.robsnel.nl	
Cust.:				
Project:				

Title: **Flange for drain plug**

Mat:	Dwg.nr:	Revision:	Sheet:	Format:
	54.ST.590.33		1	A4