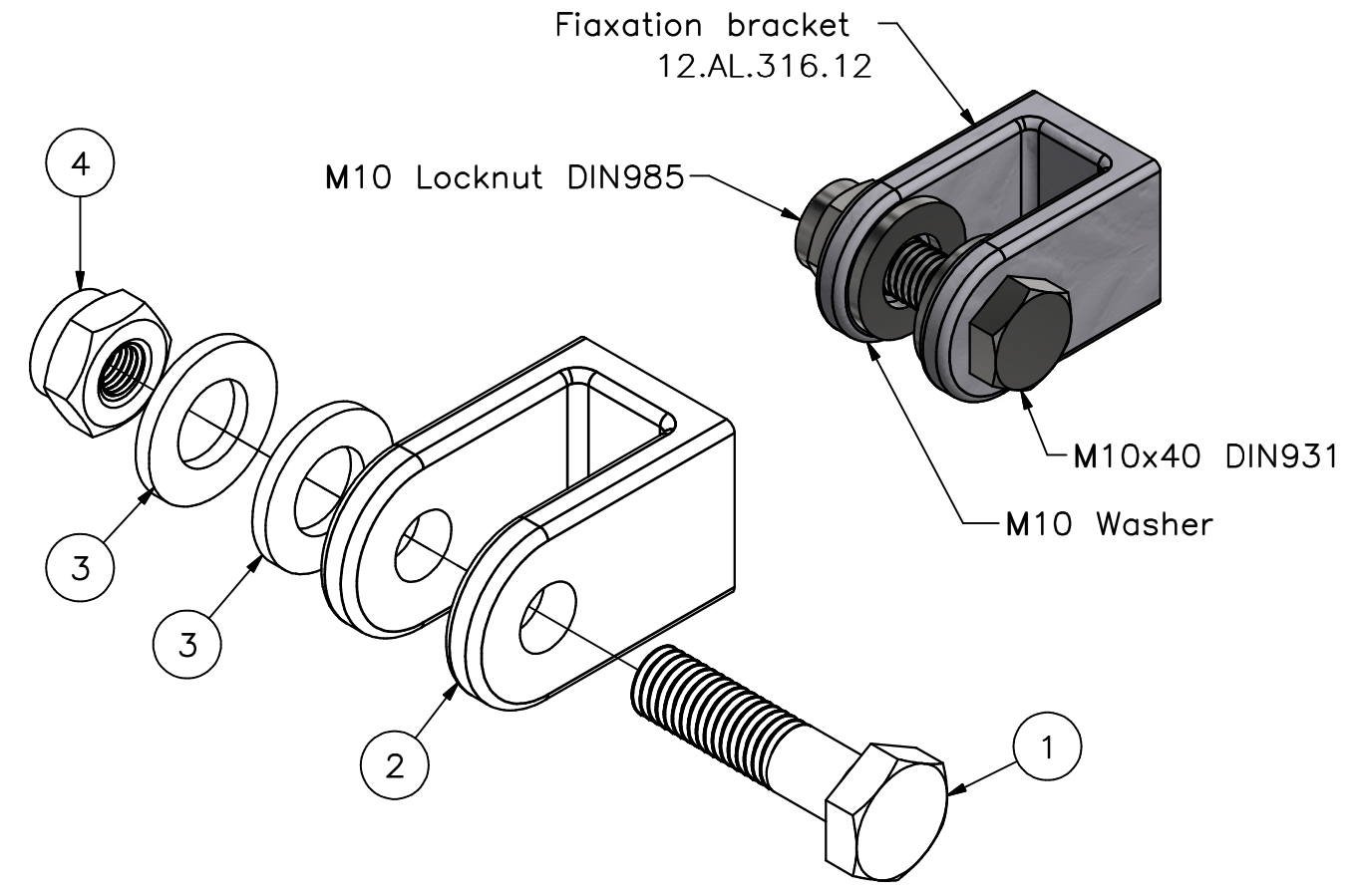
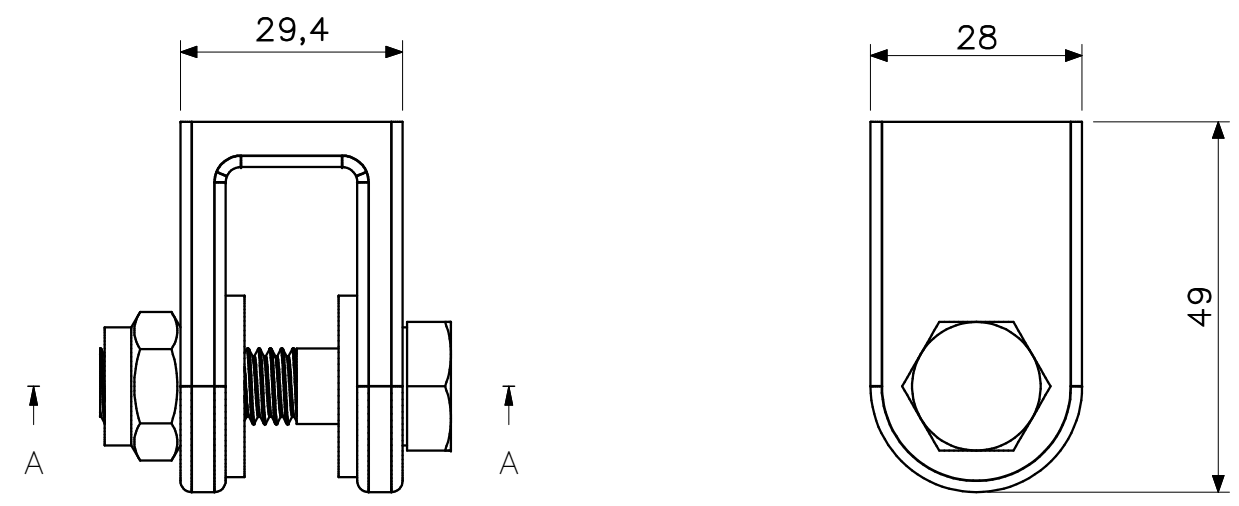
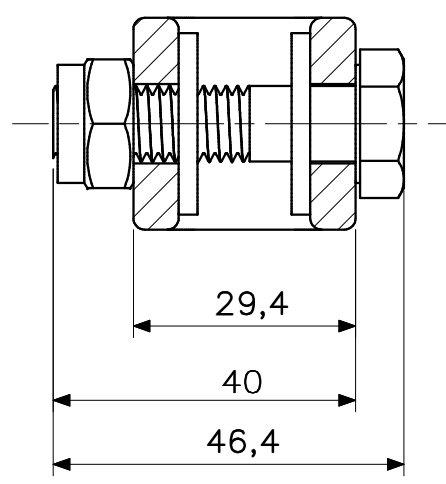


This drawing and design is protected by copyright and the information is confidential. It is also protected and registered under Dutch laws through the Dutch government department for taxes. The drawing and/or models may not be copied, reproduced, duplicated or disclosed to others, in whole or in part without prior written consent of Rob Snel B.V./the Netherlands




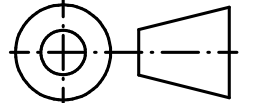
3D-IMPRESSION – EXPLODED VIEW



4	1	Lock Nut DIN985	Stainless Steel	DIN 985 - M10	10.SS.912.11
3	2	Washer DIN 125 - A 13	Stainless Steel	M10	10.SS.920.11
2	1	Fixation Bracket	Aluminium		12.AL.316.12
1	1	Hex-Head Bolt	Stainless Steel	DIN 931-1 - M10 x 40	10.SS.900.40
POS	QTY	TITLE	MATERIAL	DIMENSION	DWG NR

C		
B		
A		

Rev.: REV. DATE: REVISION SUBJECT

Date:	27-9-2021	 <p><b>Rob Snel</b> TECHNISCHE GROOTHANDEL</p>	Rob Snel Technische Groothandel Industrieweg 39 3361 HJ Sliedrecht T +31 (0)184 43 30 30 F +31 (0)184 43 30 31 E s.snel@robsnel.nl I www.robsnel.nl	Art.nr:
Drawn:	Hans Baars			Projection type:
Scale:	1:1			
Status:	Pending			
Cust.:				
Project:				

Title: **Fixation Set M10 Aluminium**

Mat:	Dwg.nr:	Revision:	Sheet:	Format:
	<b>10.AL.316.61</b>		<b>1</b>	<b>A3</b>