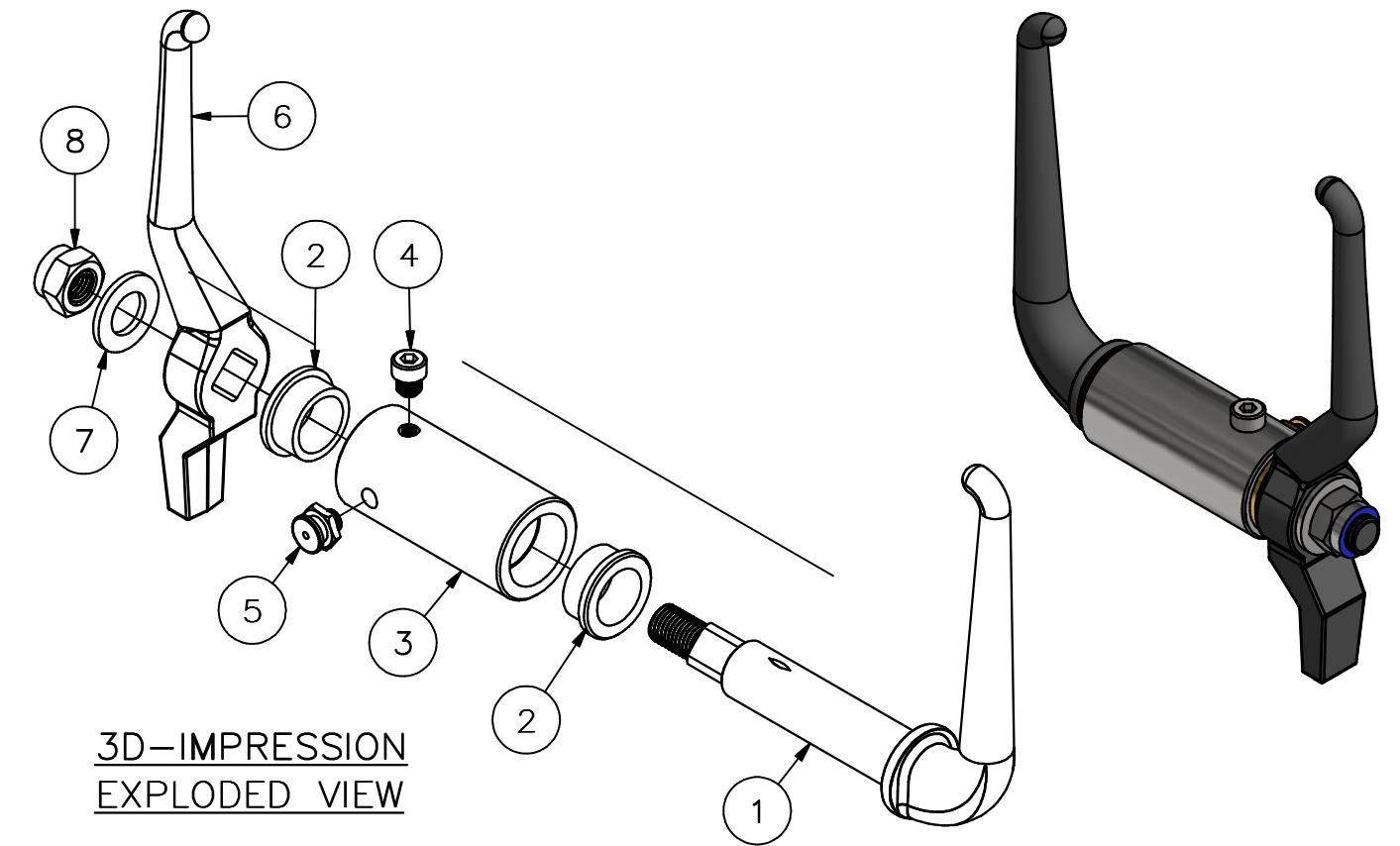
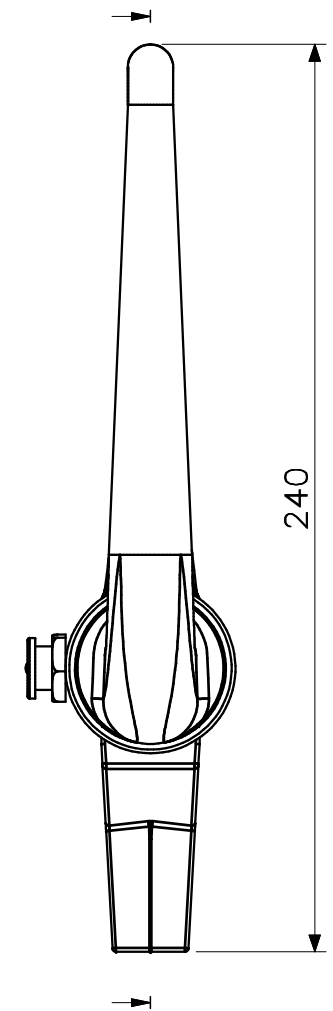
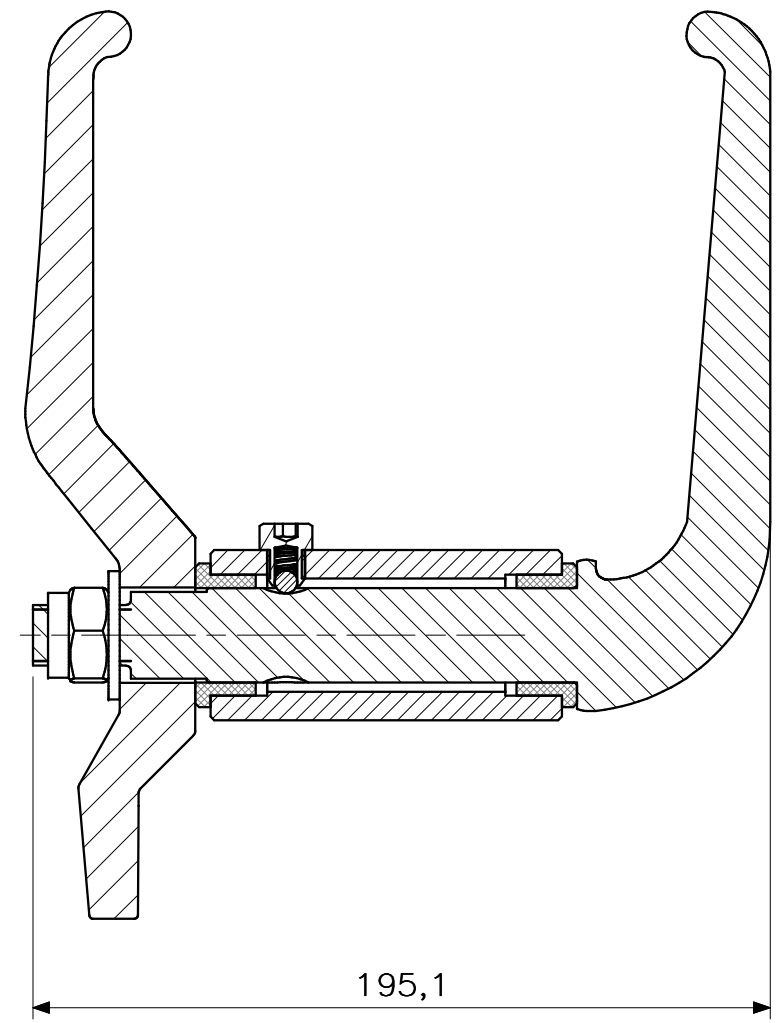
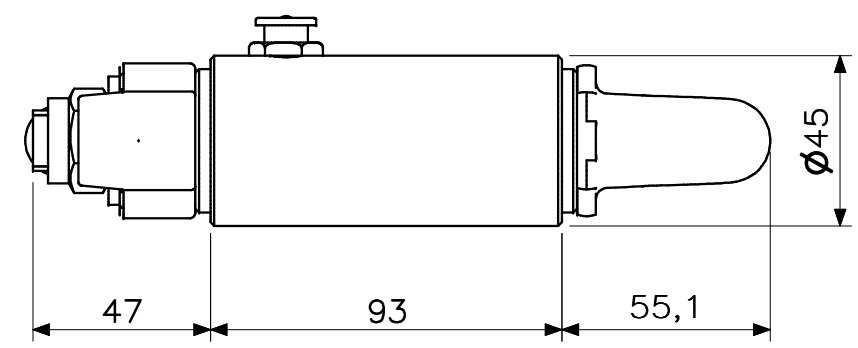


This drawing and design is protected by copyright and the information is confidential. It is also protected and registered under Dutch laws through the Dutch government department for taxes. The drawing and/or models may not be copied, reproduced, duplicated or disclosed to others, in whole or in part without prior written consent of Rob Snel B.V./the Netherlands



3D-IMPRESSON
EXPLODED VIEW



8	1	Selflocking nut	Steel Galvanized	DIN 985 - M16	16.ST.912.23
7	1	Washer	Steel Galvanized	DIN 125 - M16	16.ST.920.23
6	1	Handle	Steel		80.ST.401.02
5	1	Lubrication nipple	Brass	1/8 BSP	80.BR.412.01
4	1	Spring Plunger CF06708.412.50	Stainless Steel	M10	80.SS.412.50
3	1	Buitenbus	Stainless Steel	93 mm	93.SS.406.03
2	2	Bearing bush	Brass		80.ST.401.04
1	1	Handle with shaft	Steel	93 mm	93.ST.402.01
POS	AANT	BENAMING	MATERIAAL	AFMETING	TEKNR

C		
B		
A		

Rev.: REV. DATE: REVISION SUBJECT

Date:	21-12-2022	 Rob Snel TECHNISCHE GROOTHANDEL Rob Snel Technische Groothandel Industrieweg 39 3361 HJ Sliedrecht T +31 (0)184 43 30 30 F +31 (0)184 43 30 31 E s.snel@robsnel.nl I www.robsnel.nl	Art.nr:
Drawn:	Hans Baars		Projection type:
Scale:	1:2		
Status:	Pending		
Cust.:			
Project:			

Title: Doortoggle Steel/Stainless Steel 93mm

Mat:	Dwg.nr:	Revision:	Sheet:	Format:
	93.ST.402.50		1	A3