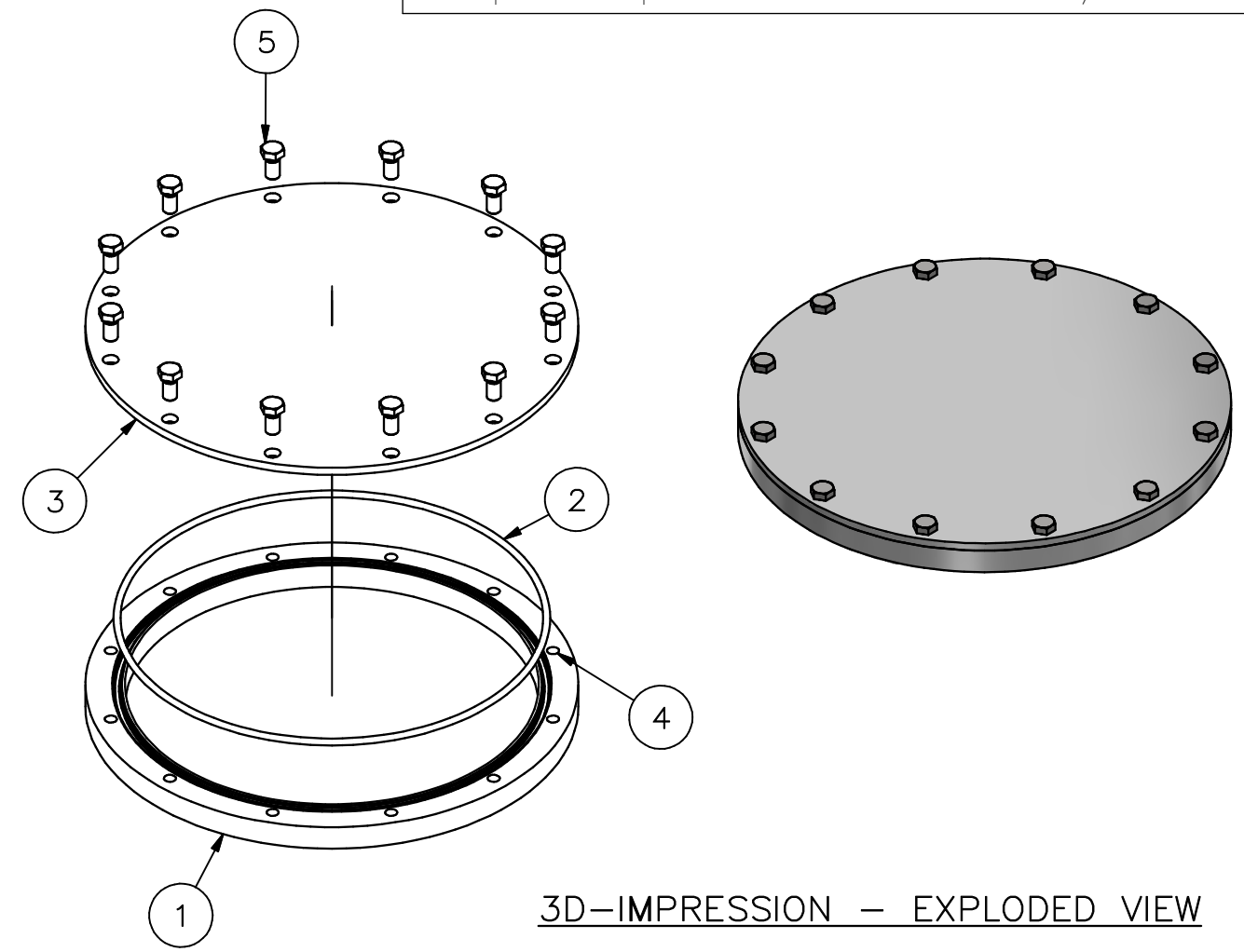


This drawing and design is protected by copyright and the information is confidential. It is also protected and registered under Dutch laws through the Dutch government department for taxes. The drawing and/or models may not to copied, reproduced, duplicated or disclosed to others, in whole or in part without prior written consent of Rob Snel B.V./the Netherlands



POS	QTY	TITLE	MATERIAL	DIMENSION	DWG NR
5	12	Hex-Head Bolt	Stainless Steel A4	DIN 933 - M16 x 30	524.07
4	12	Thread Insert M16x20	Stainless Steel A4	DIN 8140	524.07
3	1	Manhole Cover	Aluminium 5083-H321	ø560x10	524.07
2	1	Seal NBR 70gr Shore A	Nitril	ø8	524.07
1	1	Manhole Ring	Aluminium 5083-H321	ø560xø470x30	524.07

REV.	DATE	REVISION SUBJECT
A	27-9-2023	Modification ring

Date: 19-6-2023	 Rob Snel TECHNISCHE GROOTHANDEL	Rob Snel Technische Groothandel Industrieweg 39 3361 HJ Sliedrecht T +31 (0)184 43 30 30 F +31 (0)184 43 30 31 E s.snel@robsnel.nl I www.robsnel.nl	Art.nr:
Drawn: Hans Baars			Projection type:
Scale: 1:5 1:3			
Status: Pending			
Cust.:			
Project:			

Title: Aluminiuml Manhole C/O ø450 - Type D - 12 Bolts				
Mat:	Dwg.nr: 52.AL.524.07	Revision: A	Sheet: 1	Format: A3